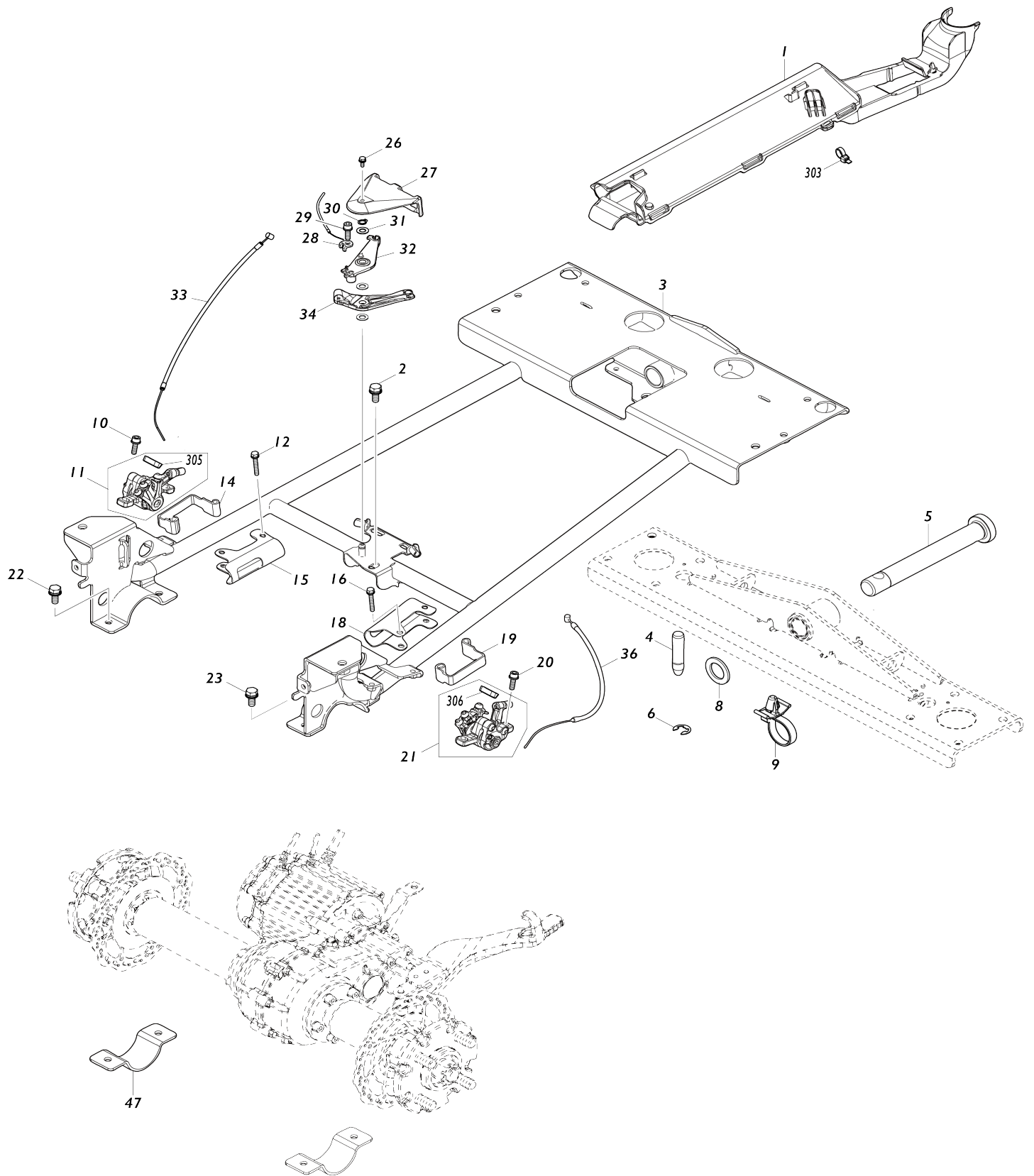
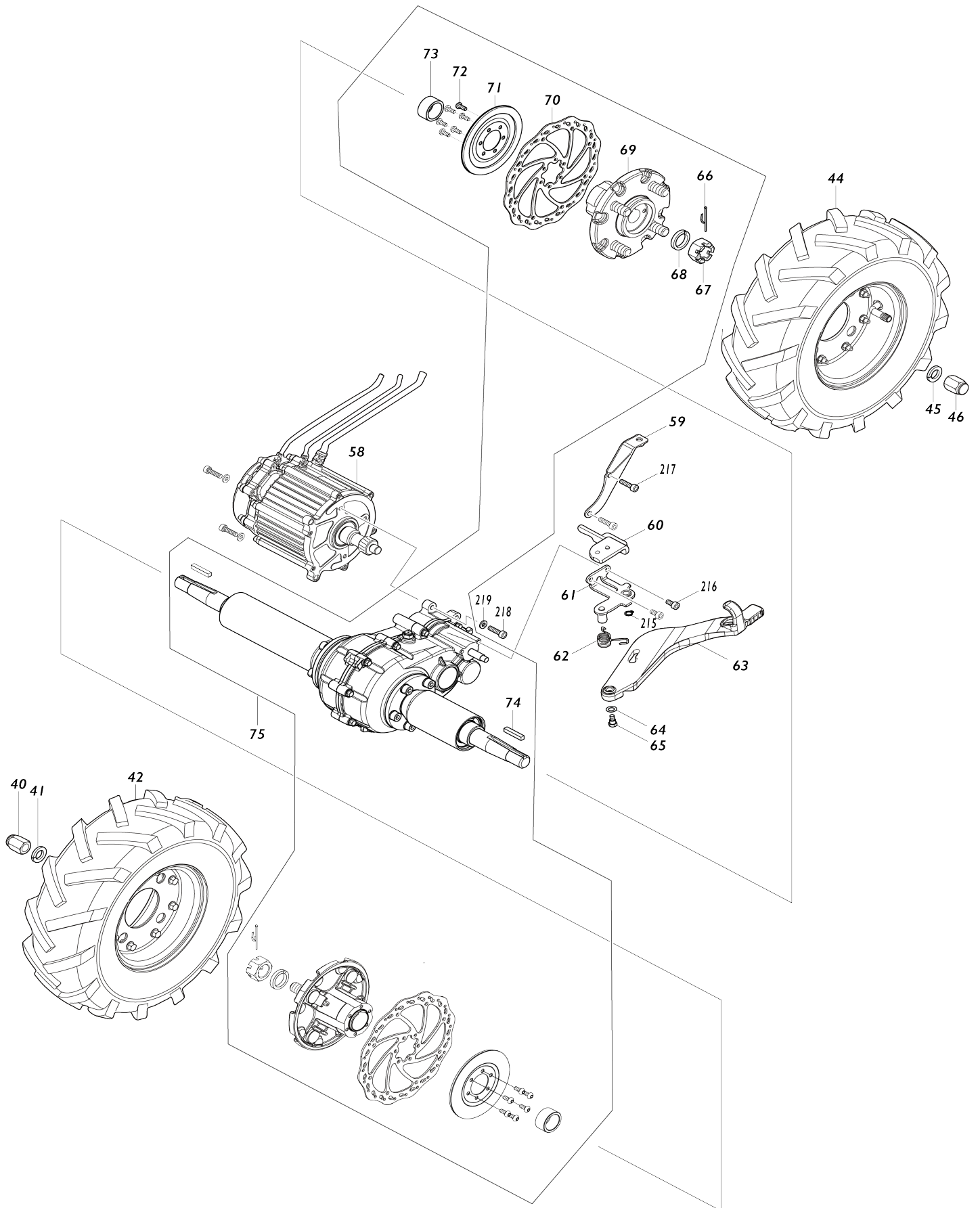


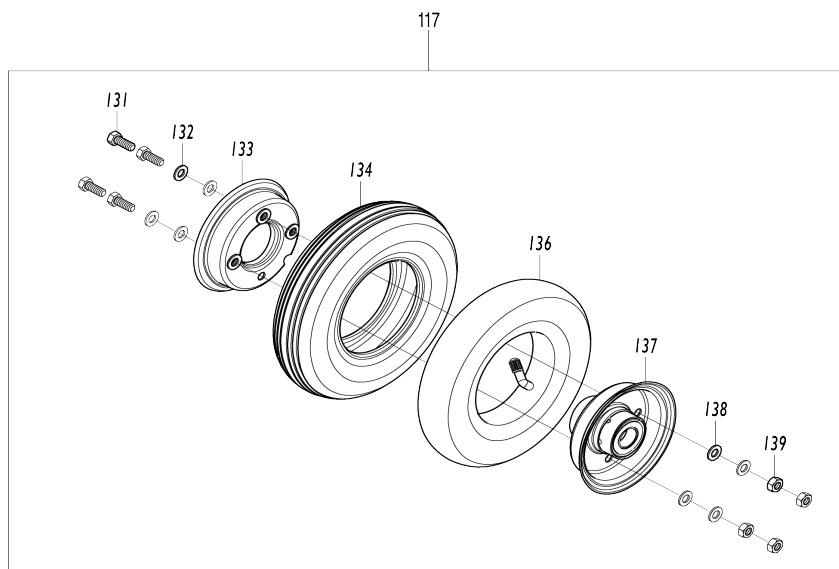
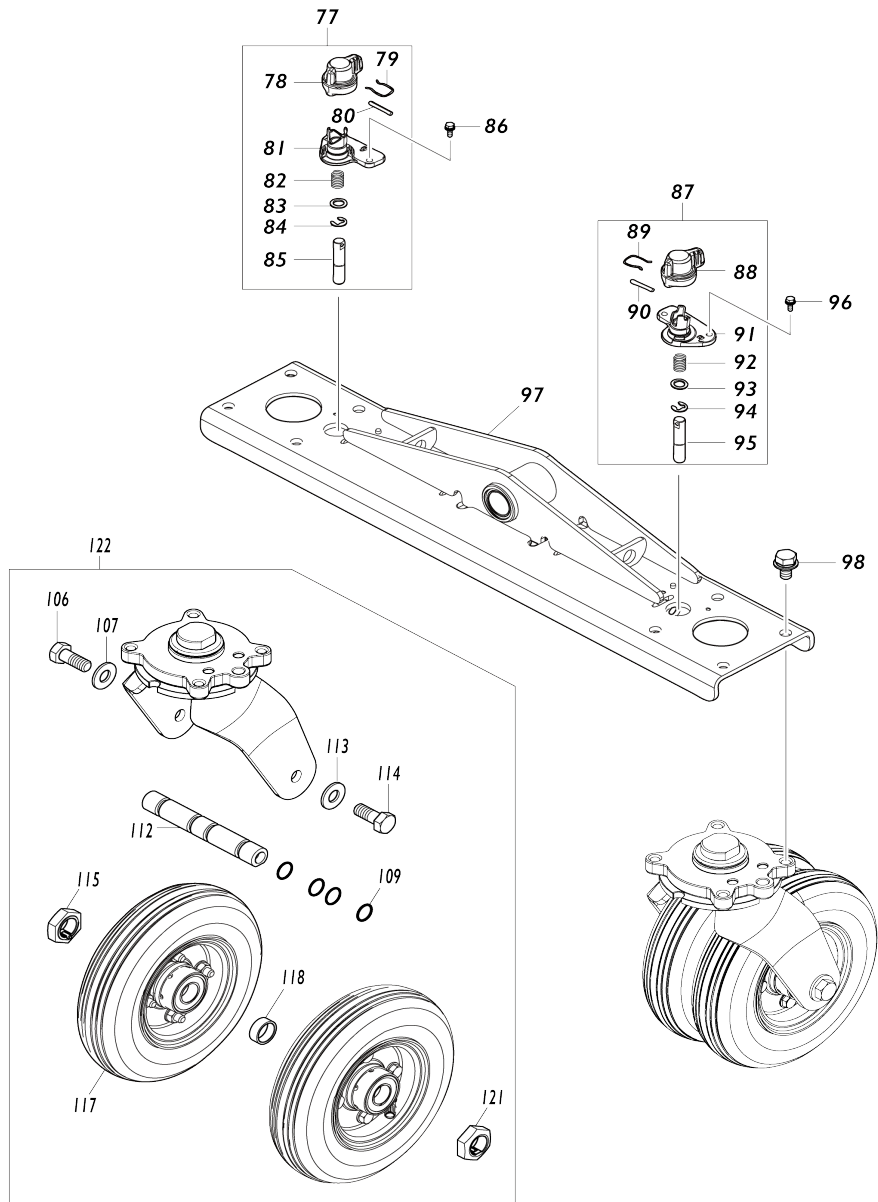
Model No.DCU604 BATTERY POWERED WHEELBARROW



Model No.DCU604 BATTERY POWERED WHEELBARROW

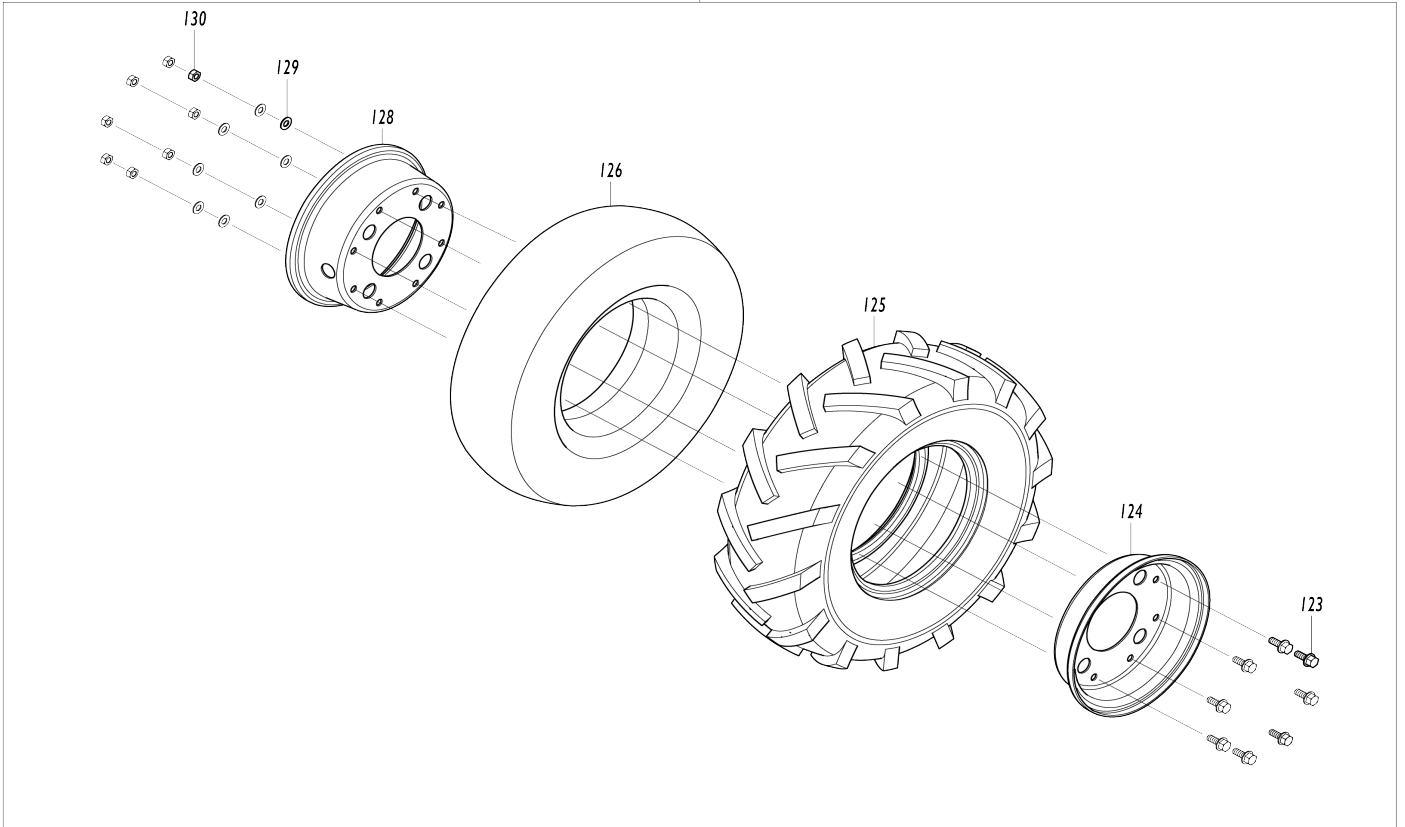


Model No.DCU604 BATTERY POWERED WHEELBARROW

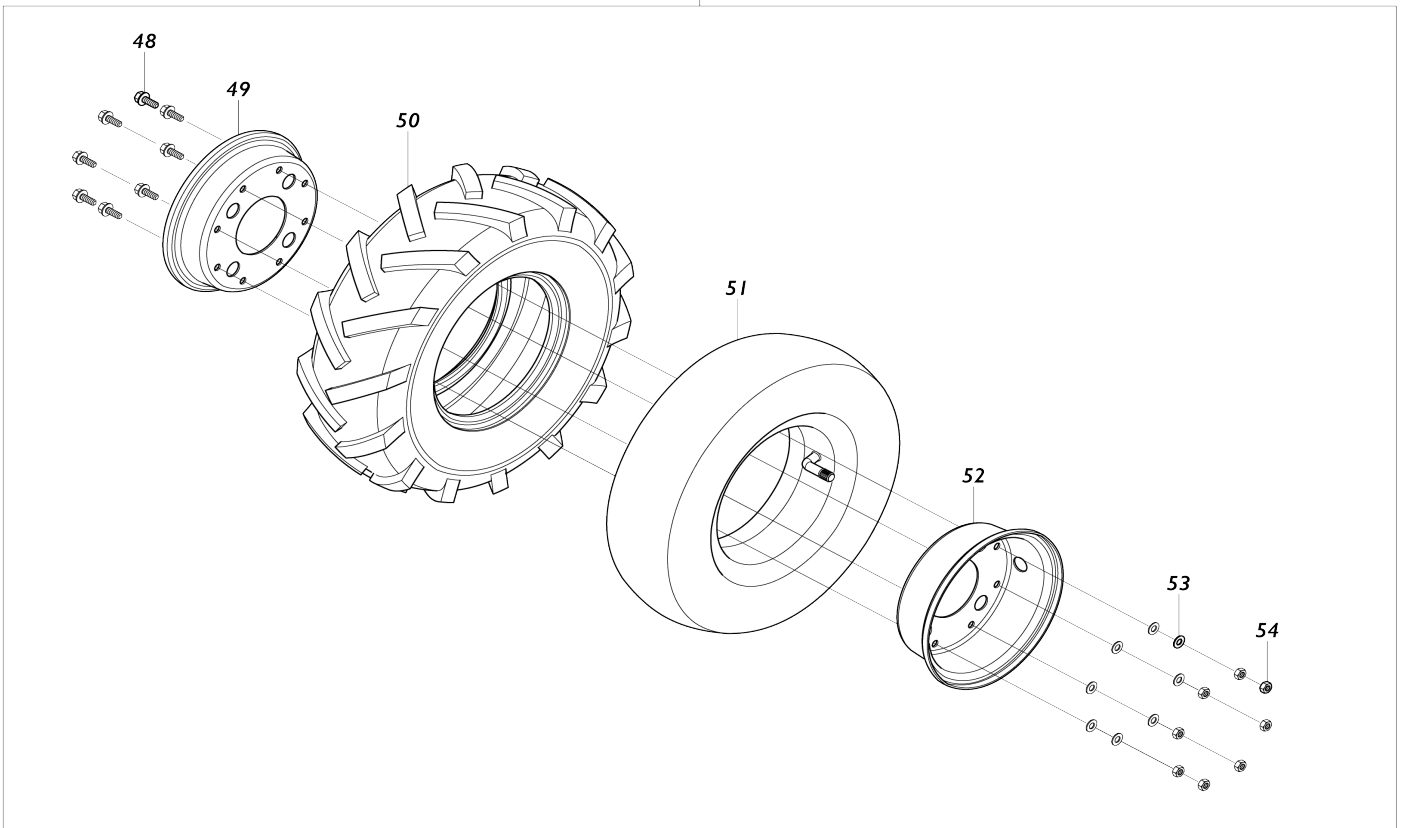


Model No.DCU604 BATTERY POWERED WHEELBARROW

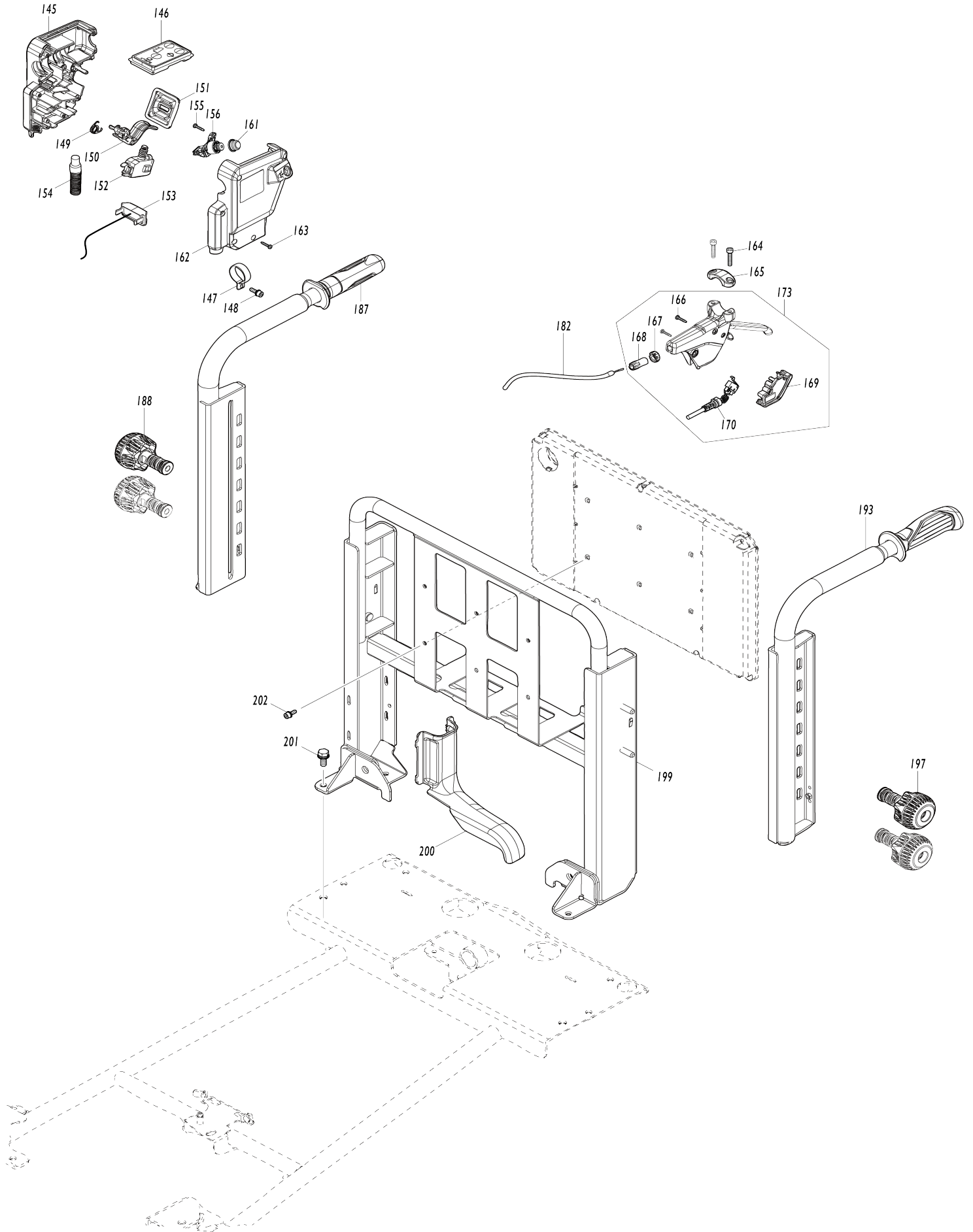
42



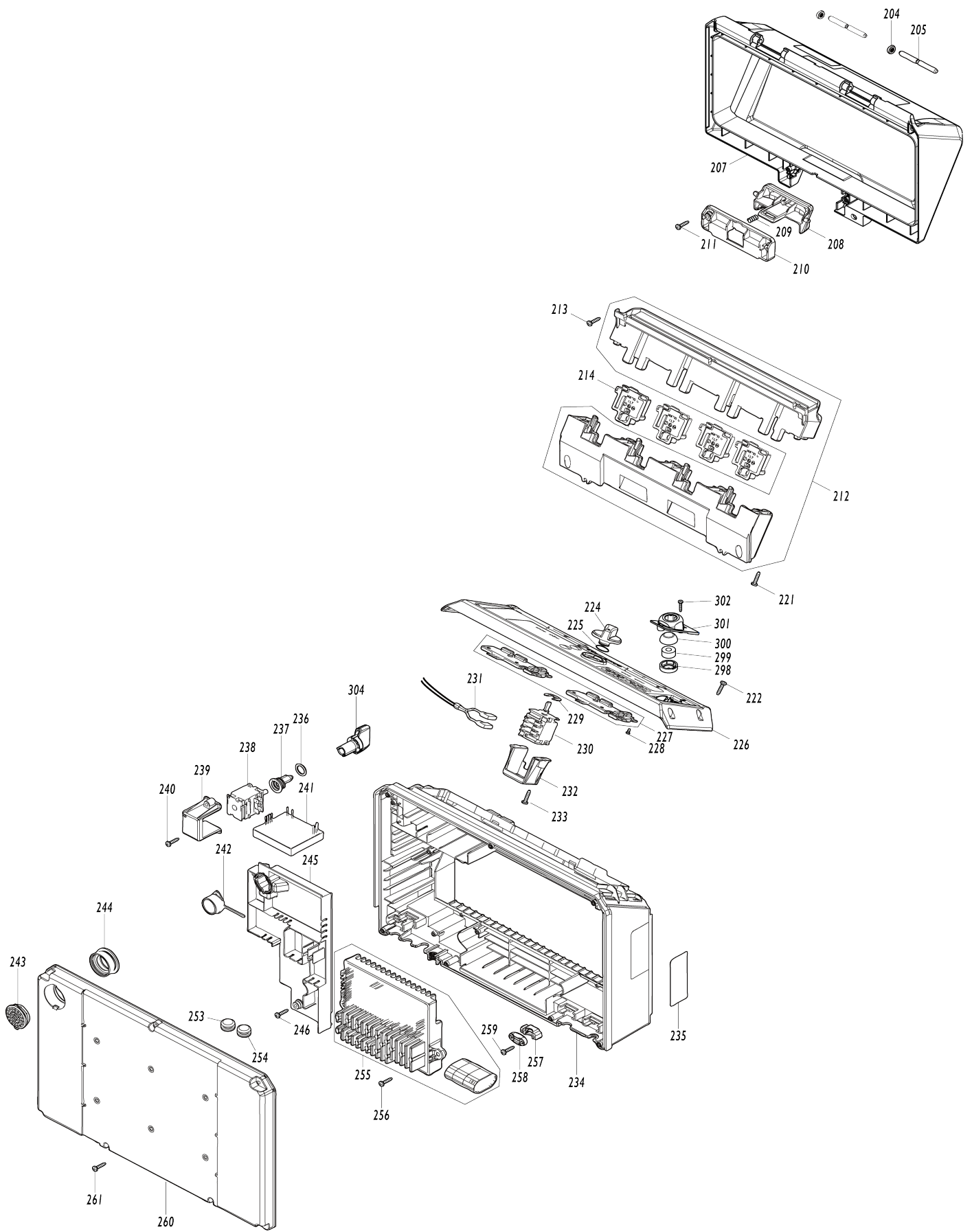
44



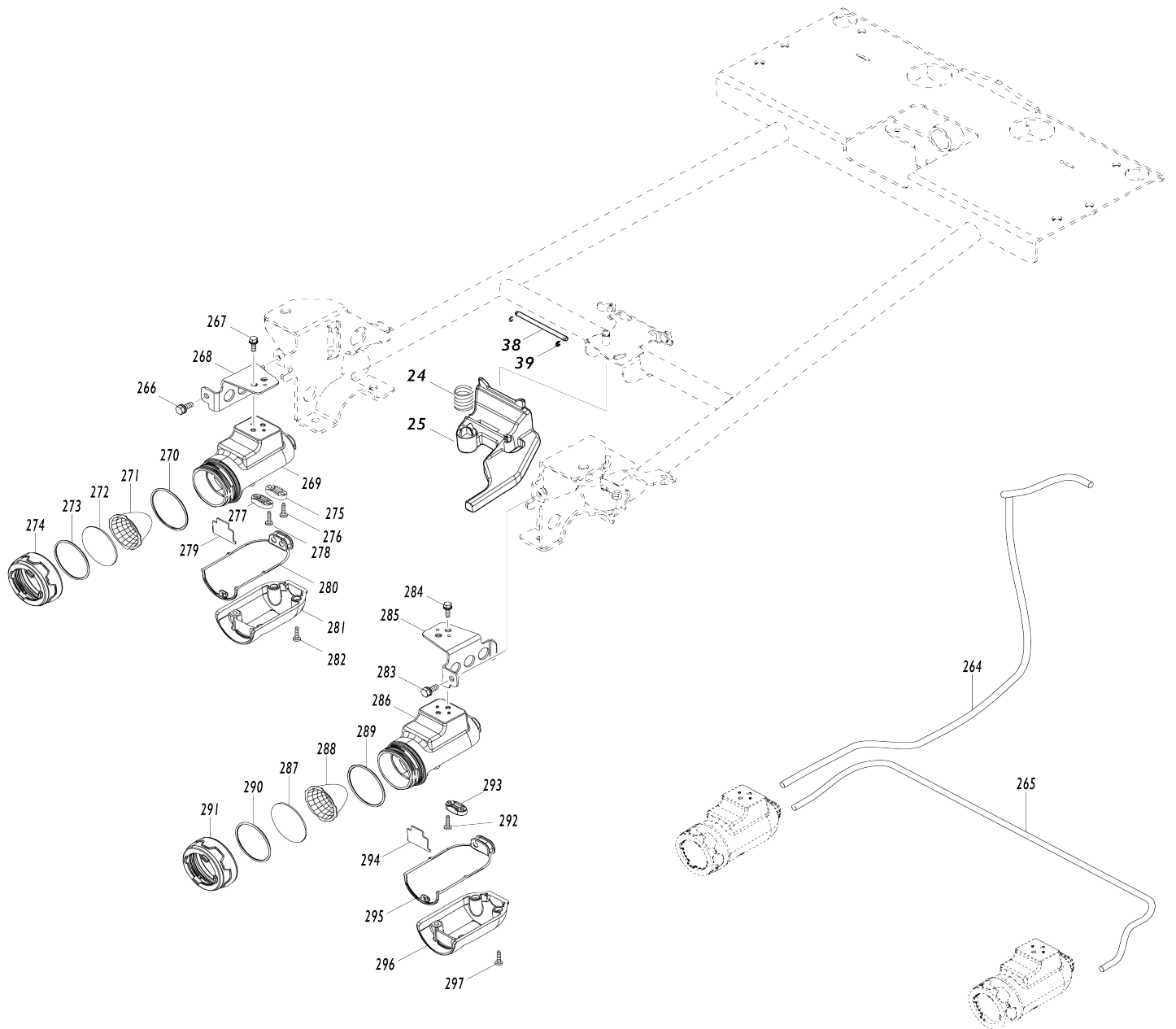
Model No.DCU604 BATTERY POWERED WHEELBARROW



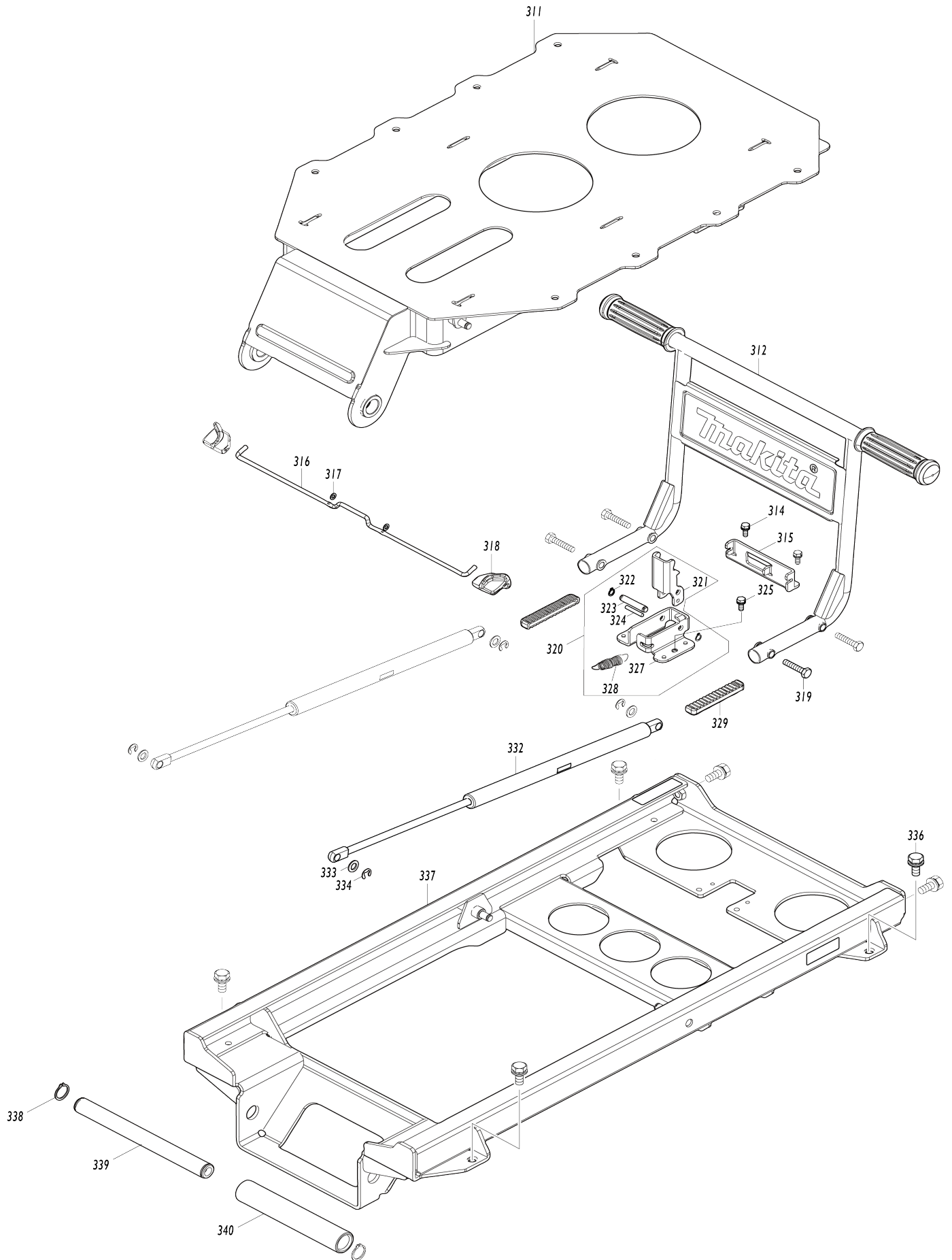
Model No.DCU604 BATTERY POWERED WHEELBARROW



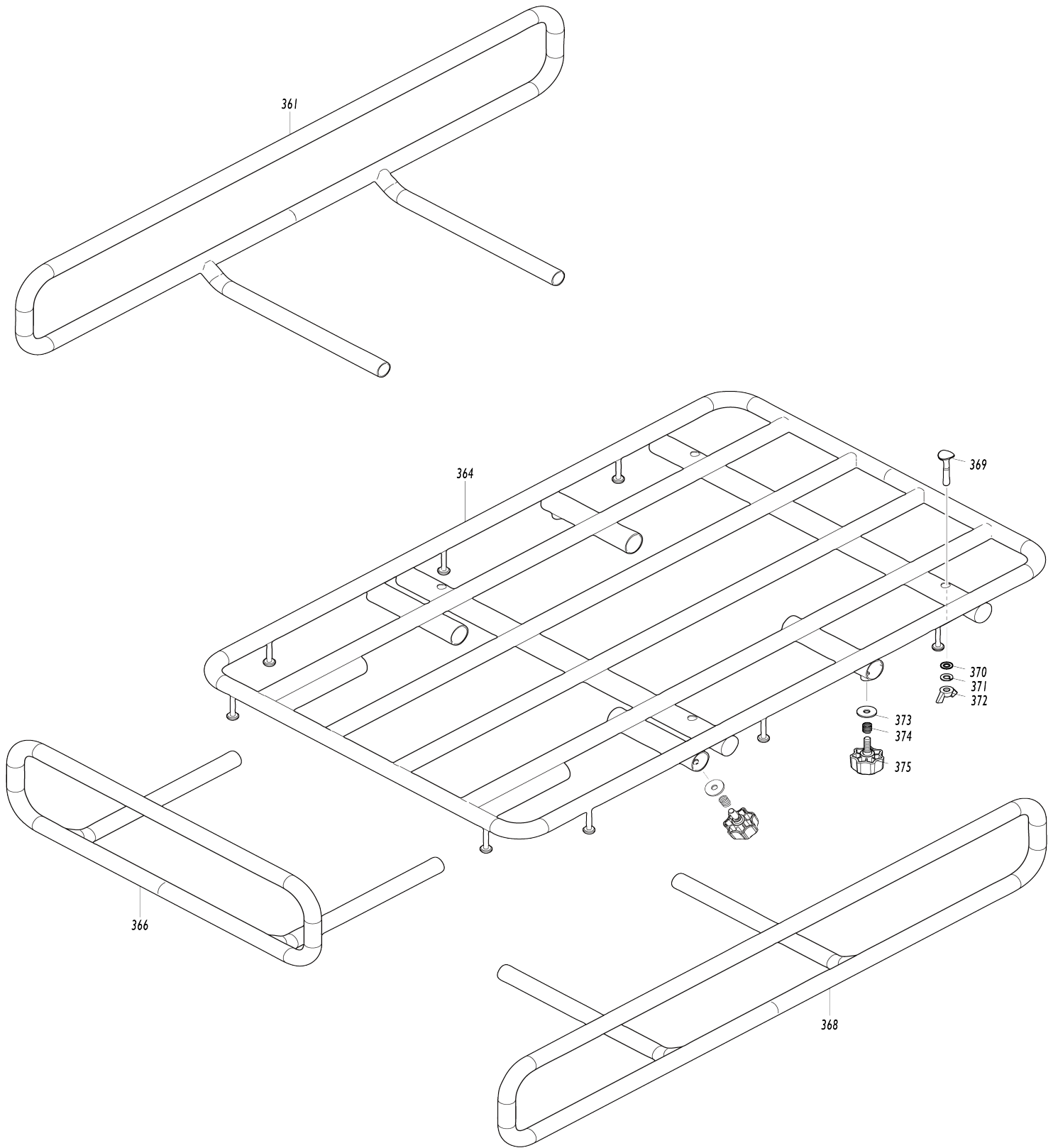
Model No.DCU604 BATTERY POWERED WHEELBARROW



Model No.DCU604 BATTERY POWERED WHEELBARROW



Model No.DCU604 BATTERY POWERED WHEELBARROW



Model No.DCU604 BATTERY POWERED WHEELBARROW

Item No.	Parts No.	Description
001	412561-2	CORD COVER
002	265B11-6	HEX. BOLT M8X20 WITH WR
003	141P49-8	MAIN FRAME COMPLETE
C10	8064B2-0	INDICATION LABEL
004	256940-2	PIN 14
005	327472-7	BASE SHAFT 25
006	961062-2	STOP RING E-12
008	261163-9	RUBBER WASHER 25
009	687F01-7	BAND
010	265D23-1	HEX. S.H.B M6X22 WITH GM
011	136868-9	BRAKE CALIPER R ASS'Y
011		INC. 305
012	265C76-4	HEX. BOLT M5X35 WITH WR
014	347993-3	SCRAPER
015	347995-9	CLAMP R
016	265C76-4	HEX. BOLT M5X35 WITH WR
018	347994-1	CLAMP L
019	347993-3	SCRAPER
020	265D23-1	HEX. S.H.B M6X22 WITH GM
021	136869-7	BRAKE CALIPER L ASS'Y
021		INC. 306
022	265B11-6	HEX. BOLT M8X20 WITH WR
023	265B11-6	HEX. BOLT M8X20 WITH WR
024	232737-3	COMPRESSION SPRING 19
025	413D27-9	NEUTRAL LEVER LOCK
026	265C46-3	HEX. BOLT M4X12 WITH WG
027	413D28-7	BRAKE EQUALIZER COVER
028	347629-4	CABLE CLAMP
029	265B14-0	H.S.H.BOLT M6X20 WITH WR
030	961004-6	RETAINING RING (EXT) S-8
031	253165-9	FLAT WASHER 8
032	319906-4	BRAKE EQUALIZER R
033	140P25-9	BRAKE CABLE 370
034	319905-6	BRAKE EQUALIZER L
036	140P25-9	BRAKE CABLE 370
038	256A03-0	ROD 4.5
039	961017-7	STOP RING E-3
040	252289-8	HEX. CAP NUT M14
041	253475-4	SPRING WASHER 14
042	141G99-9	TIRE 330 R ASSEMBLY
042		INC. 123-126,128-130
044	141H00-0	TIRE 330 L ASSEMBLY
044		INC. 48-54
045	253475-4	SPRING WASHER 14
046	252289-8	HEX. CAP NUT M14
047	347621-0	CLAMP 57
048	265C39-0	HEX. FLANGE HD. BOLT M6X16

049	347950-1	WHEEL 150
050	422857-3	TIRE 330
051	162B39-4	TUBE 330
C10	GQ00000001	VALVE CAP M8
052	347949-6	WHEEL 150
053	253551-4	FLAT WASHER 6
054	252308-0	HEX. NUT M6-10
058	122E51-4	MOTOR ASSEMBLY
059	347698-5	DIFF BRACKET
060	347A16-3	NEUTRAL LEVER
061	347697-7	NEUTRAL LEVER HOLDER
062	232616-5	TORSION SPRING 14
063	413D41-5	NEUTRAL CHANGE LEVER
064	253430-6	FLAT WASHER 8
065	265465-5	SHOULDER HEX. BOLT M6
066	NP00000001	SPLIT PIN 3-35
067	NP00000002	HEX. NUT M20
068	NP00000003	SPRING WASHER 22
069	313304-4	HUB
070	347208-8	BRAKE DISC
071	141P62-6	PLATE COMPLETE
072	265C87-9	H.S.B. HEAD SCREW M5X12
073	327626-6	SLEEVE 25
074	NP00000004	KEY 6
075	122D22-5	DIFFERENTIAL GEAR UNIT
075		INC. 66-74
077	122C29-5	TURNING LOCK R ASSEMBLY
077		INC. 78-85
078	413D33-4	LOCK LEVER
079	327938-7	SNAP RETAINER
080	268181-8	PIN 3
081	413D32-6	LIFTER GUIDE R
082	232617-3	COMPRESSION SPRING 10
083	253173-0	FLAT WASHER 10
084	961013-5	STOP RING E-7
085	256A04-8	PIN 10
086	265C46-3	HEX. BOLT M4X12 WITH WG
087	122C28-7	TURNING LOCK L ASSEMBLY
087		INC. 88-95
088	413D33-4	LOCK LEVER
089	327938-7	SNAP RETAINER
090	268181-8	PIN 3
091	413D31-8	LIFTER GUIDE L
092	232617-3	COMPRESSION SPRING 10
093	253173-0	FLAT WASHER 10
094	961013-5	STOP RING E-7
095	256A04-8	PIN 10
096	265C46-3	HEX. BOLT M4X12 WITH WG
097	162712-4	REAR BASE
098	265B13-2	HEX. BOLT M10X20 WITH WG
106	265B10-8	HEX BOLT M12X40
107	253460-7	FLAT WASHER 13

109	213211-0	O RING 15
109-1	213A73-2	O-RING 15
112	327646-0	AXLE 20
113	253460-7	FLAT WASHER 13
114	265B10-8	HEX BOLT M12X40
115	136835-4	HEX. SLEEVE 20 ASS'Y
C10	263027-3	RUBBER PIN 4
117	141H01-8	TIRE 210 ASSEMBLY
117		INC. 131-134,136-139
118	257498-4	RING 20
121	136835-4	HEX. SLEEVE 20 ASS'Y
C10	263027-3	RUBBER PIN 4
122	127457-1	CASTER 210 ASSEMBLY
122		INC. 106,107,109,112-115,
122		INC. 117,118,121
123	265C39-0	HEX. FLANGE HD. BOLT M6X16
124	347950-1	WHEEL 150
125	422857-3	TIRE 330
126	162B39-4	TUBE 330
C10	GQ00000001	VALVE CAP M8
128	347949-6	WHEEL 150
129	253551-4	FLAT WASHER 6
130	252308-0	HEX. NUT M6-10
131	265C40-5	HEX. BOLT M8X20
132	253552-2	FLAT WASHER 8
133	347952-7	WHEEL 100
134	422860-4	TIRE 210
136	162B40-9	TUBE 210
C10	GQ00000001	VALVE CAP M8
137	347951-9	WHEEL 100
138	253552-2	FLAT WASHER 8
139	252309-8	HEX. NUT M8-13
145	183X90-3	SWITCH BOX SET
C10	8065A9-5	CAUTION LABEL
145		INC. 162
146	140P26-7	SWITCH CIRCUIT COMPLETE
C10	183X57-1	SWITCH PLATE SET
C20	266490-9	TAPPING SCREW PT 2X6
147	346249-1	PIPE CLAMP 28
148	265A97-4	H.S.H.BOLT M5X16 WITH WR
149	232738-1	TORSION SPRING 11
150	412206-2	SWITCH LEVER
151	422554-1	LEVER COVER
152	651395-0	SWITCH C3JW-6B-PA6N
153	620C26-0	LED CIRCUIT
154	699178-0	POWER SUPPLY CORD UNIT
155	266130-9	TAPPING SCREW BIND PT 3X16
156	122C26-1	BUZZER SWITCH ASSEMBLY
C10	632T14-7	SWITCH UNIT
161	422555-9	SWITCH COVER
162	183X90-3	SWITCH BOX SET

C10	8065A9-5	CAUTION LABEL
162		INC. 145
163	266130-9	TAPPING SCREW BIND PT 3X16
164	265C98-4	HEX SOCKET HEAD BOLT M5X25
165	312C48-1	CLAMP 22
166	266130-9	TAPPING SCREW BIND PT 3X16
167	312C44-9	ADJUST NUT
168	312C43-1	ADJUST BOLT
169	413D25-3	SWITCH HOLDER
170	632T13-9	SWITCH UNIT
173	127458-9	BRAKE LEVER ASSEMBLY
173		INC. 166-170
182	140P23-3	BRAKE CABLE 1590
187	140T47-3	HANDLE R COMPLETE
188	141H20-4	HANDLE LOCK KNOB
C10	232739-9	COMPRESSION SPRING 15
C20	313400-8	SPRING HOLDER
193	140P15-2	HANDLE L COMPLETE
197	141H20-4	HANDLE LOCK KNOB
C10	232739-9	COMPRESSION SPRING 15
C20	313400-8	SPRING HOLDER
199	141N97-5	HANDLE BASE COMPLETE
C10	8059G2-2	INDICATION LABEL
200	412562-0	HANDLE BASE COVER
201	265B11-6	HEX. BOLT M8X20 WITH WR
202	265A96-6	H.S.H.BOLT M5X14 WITH WR
204	262206-0	RUBBER RING 6
205	256942-8	ROD 6
207	141K01-6	BATTERY COVER COMPLETE
C10	8048W7-5	CAUTION LABEL
C20	8059G1-4	INDICATION LABEL
C30	816M70-5	INDICATION LABEL
208	412195-1	BATTERY COVER HOOK
209	231240-1	COMPRESSION SPRING 7
210	412533-7	HOOK RETAINER
211	266326-2	TAPPING SCREW 4X18
212	183V34-1	TERMINAL CASE SET
C10	263005-3	RUBBER PIN 6
213	266326-2	TAPPING SCREW 4X18
214	644809-6	TERMINAL
215	961004-6	RETAINING RING (EXT) S-8
216	265C85-3	HEX SOCKET HEAD BOLT M6X12
217	265C86-1	HEX SOCKET HEAD BOLT M6X22
218	265C86-1	HEX SOCKET HEAD BOLT M6X22
219	347A43-0	SPACER 6
221	266326-2	TAPPING SCREW 4X18
222	266326-2	TAPPING SCREW 4X18
224	412196-9	CHANGE LEVER
225	213A15-6	O-RING 14
226	141L75-3	TOP COVER COMPLETE
C10	8048W3-3	INDICATION LABEL
227	620C24-4	INDICATION CIRCUIT

228	265C42-1	TAPPING SCREW 3X6
229	961062-2	STOP RING E-12
230	651444-3	SWITCH 1703.4703
231	638A27-2	LEAD UNIT
232	451343-7	SWITCH HOLDER
233	266326-2	TAPPING SCREW 4X18
234	412188-8	CENTER CASE
235	8118L6-3	DCU604 NAME PLATE
236	213A15-6	O-RING 14
237	413D29-5	KEY JOINT
238	650622-2	SWITCH
239	451343-7	SWITCH HOLDER
240	266326-2	TAPPING SCREW 4X18
241	620G67-0	CONTROLLER
242	620C25-2	BUZZER CIRCUIT
243	413D35-0	BUZZER COVER
244	422840-0	GROMMET
245	412194-3	INNER CASE
246	266326-2	TAPPING SCREW 4X18
253	682114-3	GROMMET
254	682114-3	GROMMET
255	620D13-5	CONTROLLER
256	266326-2	TAPPING SCREW 4X18
257	687051-6	STRAIN RELIEF
258	687124-5	STRAIN RELIEF
259	266326-2	TAPPING SCREW 4X18
260	412190-1	FRONT COVER
261	266326-2	TAPPING SCREW 4X18
264	699180-3	POWER SUPPLY CORD UNIT
265	699181-1	POWER SUPPLY CORD UNIT
266	265B16-6	HEX. BOLT M6X16 WITH WR
267	265B17-4	HEX. BOLT M5X16 WITH WR
268	347622-8	LIGHT STAY R
269	319594-7	LIGHT CASE
270	213656-2	O RING 53
271	457636-0	REFLECTOR
272	457634-4	LENS
273	213604-1	O RING 50
274	457635-2	COVER
275	687124-5	STRAIN RELIEF
276	266034-5	TAPPING SCREW CT 4X16
277	687124-5	STRAIN RELIEF
278	266034-5	TAPPING SCREW CT 4X16
279	620685-2	LED CIRCUIT
280	422151-3	PACKING
281	319595-5	LIGHT CASE COVER
282	266034-5	TAPPING SCREW CT 4X16
283	265B16-6	HEX. BOLT M6X16 WITH WR
284	265B17-4	HEX. BOLT M5X16 WITH WR
285	347623-6	LIGHT STAY L
286	319594-7	LIGHT CASE

287	457634-4	LENS
288	457636-0	REFLECTOR
289	213656-2	O RING 53
290	213604-1	O RING 50
291	457635-2	COVER
292	266034-5	TAPPING SCREW CT 4X16
293	687124-5	STRAIN RELIEF
294	620685-2	LED CIRCUIT
295	422166-0	PACKING
296	319595-5	LIGHT CASE COVER
297	266034-5	TAPPING SCREW CT 4X16
298	413D37-6	LEVEL CASE
299	242101-0	LEVEL INDICATOR
300	413D36-8	LEVEL COVER
301	413D38-4	LEVEL RETAINER
302	266130-9	TAPPING SCREW BIND PT 3X16
303	687F00-9	BAND
304	413D30-0	KEY
305	422961-8	PAD RETAINER
306	422961-8	PAD RETAINER
311	162717-4	UPPER FRAME
312	140P16-0	DUMP HANDLE COMPLETE
C10	8048W5-9	MAKITA LOGO LABEL
312-1	141R22-0	DUMP HANDLE COMPLETE
C10	8048W5-9	MAKITA LOGO LABEL
314	265B16-6	HEX. BOLT M6X16 WITH WR
315	347628-6	HOLDER
316	327470-1	ROD 5
317	941102-2	FLAT WASHER 5
318	412197-7	KNOB
319	921461-0	HEX. BOLT M8X40
320	122C30-0	DUMP LOCK ASSEMBLY
320		INC. 321-324,327,328
321	347626-0	ARM
322	961004-6	RETAINING RING (EXT) S-8
323	256943-6	PIN 8
324	256196-7	PIN 5
325	265B16-6	HEX. BOLT M6X16 WITH WR
327	347627-8	BASE
328	232618-1	TENSION SPRING 11
329	422556-7	CUSHION RUBBER
332	162816-2	GAS SPRING 240
333	941252-3	FLAT WASHER 10
334	961014-3	STOP RING E-8
336	265508-3	HEX.BOLT M10X25
337	141N98-3	DUMP BASE COMPLETE
C10	8059G3-0	CAUTION LABEL
C20	8059G6-4	INDICATION LABEL
C30	8059G7-2	INDICATION LABEL
338	961102-6	RETAINING RING S-22
339	327474-3	SHAFT 22
340	327480-8	SLEEVE 22

361	141N88-6	SIDE GUARD COMPLETE
C10	457744-7	CAP 22
364	141N87-8	PIPE FRAME COMPLETE
C10	457743-9	CAP 30
366	141N89-4	FRONT GUARD COMPLETE
C10	457744-7	CAP 22
368	141N88-6	SIDE GUARD COMPLETE
C10	457744-7	CAP 22
369	265C30-8	FLAT HEAD BOLT M8X50
370	253165-9	FLAT WASHER 8
371	942201-3	SPRING WASHER 8
372	934401-9	WING NUT M8
373	253852-0	FLAT WASHER 8
374	232710-3	COMPRESSION SPRING 12
375	251541-1	THUMB SCREW M8X25
376	941201-0	FLAT WASHER 8
F01	191B63-0	DUMP UNIT SET
F01-1	1914G7-1	DUMP UNIT SET
F02	191B67-2	CARRIER SET
F03	1911K4-7	TIRE 330 (SINGLE) SET
F04	1911K5-5	GRAY TIRE 330 (SINGLE) SET
F05	1911K6-3	GRAY TIRE 210 (SINGLE) SET